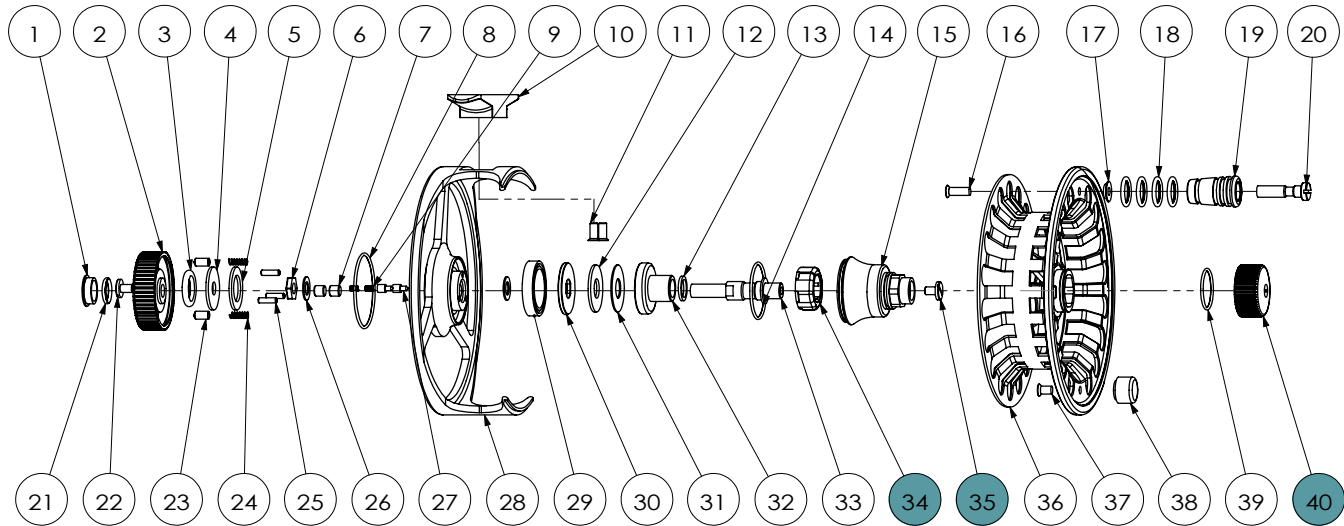


Sense by salmologic - Conversion Right-hand to left-hand operation

- 1) Loosen no. 40 spool cap screw to remove the spool.
- 2) Loosen no. 35 screw, and remove no. 34 hub.
- 3) Upside down the no. 34 one way clutch, and assemble in reverse order.



No.	Description	Q'ty	No.	Description	Q'ty	No.	Description	Q'ty	No.	Description	Q'ty	No.	Description	Q'ty
1	Drag Cap	1	2	Drag Knob	1	3	Push O-Ring	1	4	Drag Washer 1	1	5	Drag Washer 2	1
6	Shaft Lock Nut	1	7	Click Screw	2	8	Drag O-Ring	1	9	Click Spring	2	10	Reel Foot	1
11	Foot Screw	2	12	Disk 1	1	13	Disk 3	1	14	Hub O-Ring	1	15	Hub	1
16	Handle Screw	1	17	Handle Washer	1	18	Handle Bushing	4	19	Handle	1	20	Handle Rivet	1
21	Cap O-ring	1	22	Drag Lock Screw	2	23	Drag Click	2	24	Drag Click Spring	3	25	Push Pin	1
26	Guide Washer	2	27	Click	1	28	Frame	1	29	Ball Bearing	1	30	Stainless Disk	1
31	Disk 2	1	32	Sleeve	1	33	Main Shaft	1	34	One Way Clutch	1	35	Hub Lock Screw	1
36	Spool	1	37	Balance Screw	1	38	balance	1	39	Spool Cap O-Ring	1	40	Spool Cap	1